

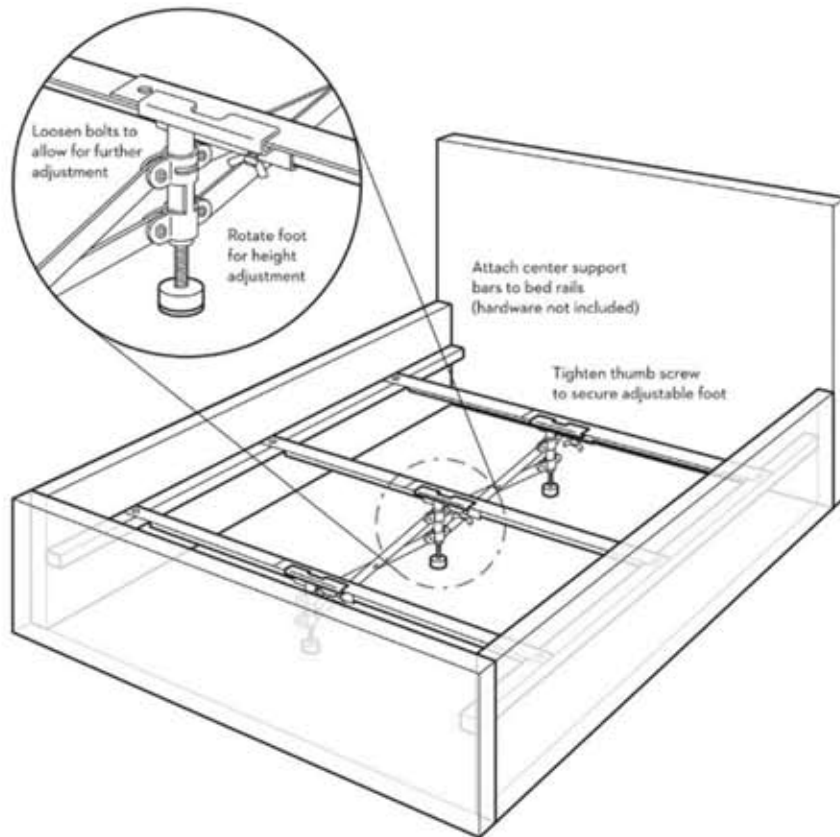
**A**  
Support  
Beams x6



**B**  
Adjustable Center  
Support x1

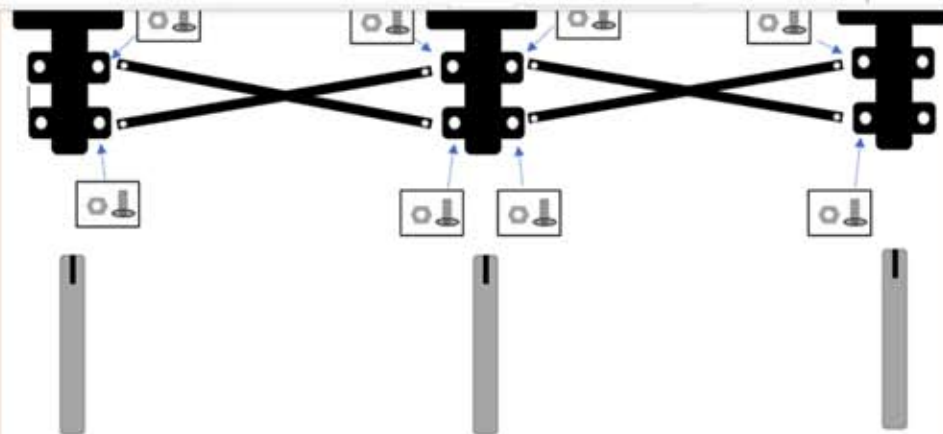
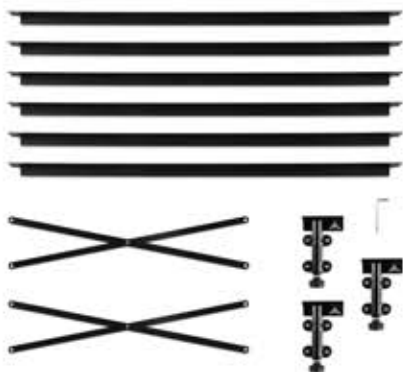


**C**  
Allen Wrench



Failure to follow these warnings and assembly instructions could result in serious injury or death. Read all instructions before assembling bed frame. Keep the assembly instructions for future use. Before each usage or assembly, inspect bed frame for damaged hardware, loose joints, missing parts or sharp edges. DO NOT use the bed frame if any parts are missing or broken. Contact the manufacturer for replacement parts and instructional literature if needed. DO NOT substitute parts. Check fasteners and rivets periodically for tightness and positioning.

© 2017 MALOUF



To install the Silver Tube into the Bracket

1. Remove the bolts / nuts from bracket.
2. Line up the groove on the silver tube with the bead on the inside of the black bracket. (pictured above)
3. Once the bead is seated all the way in the groove, tap the tube on the back end to insert to desired length.